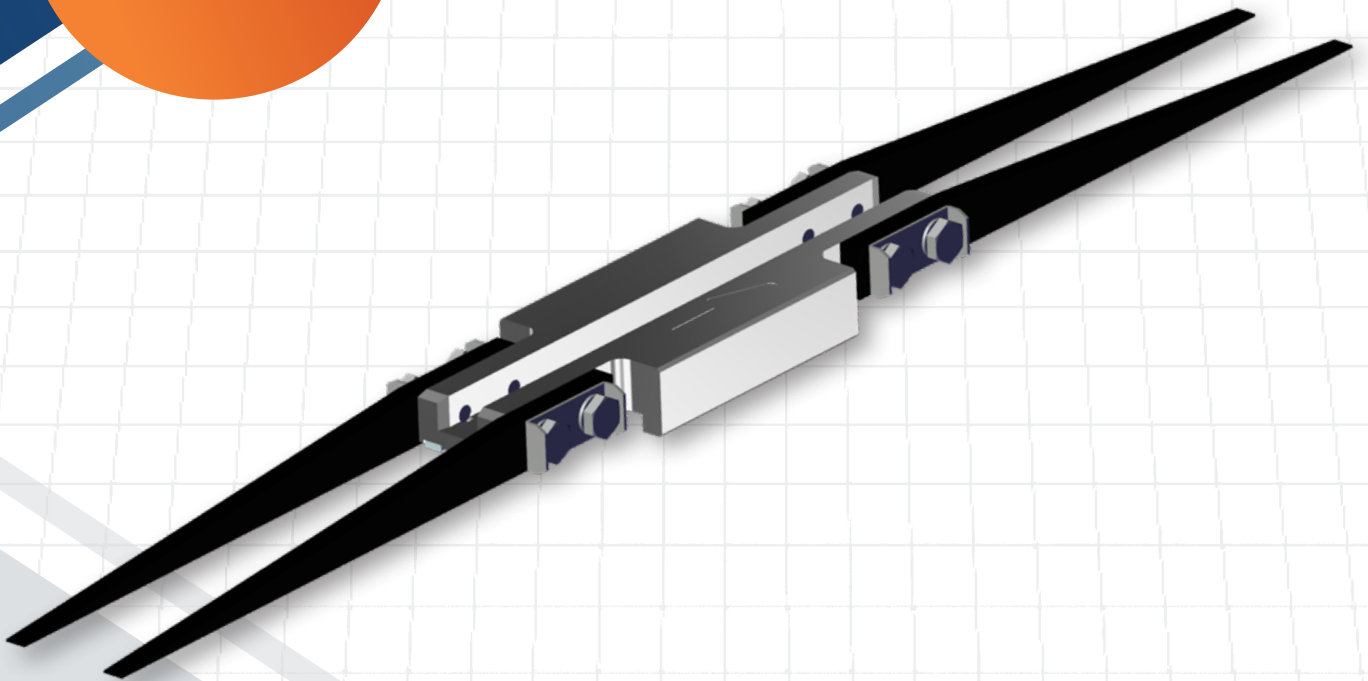


**NEW  
PRODUCT**



## **SMGM SEGMENT SEPARATION**

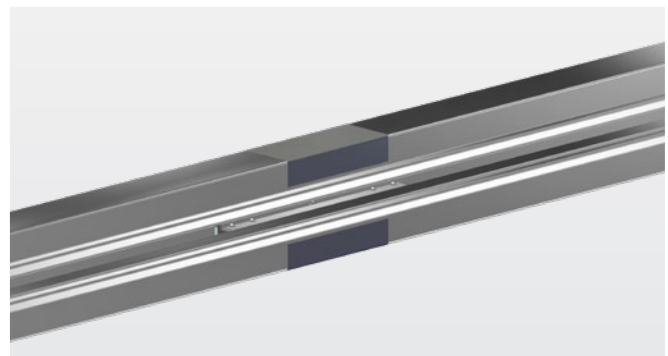
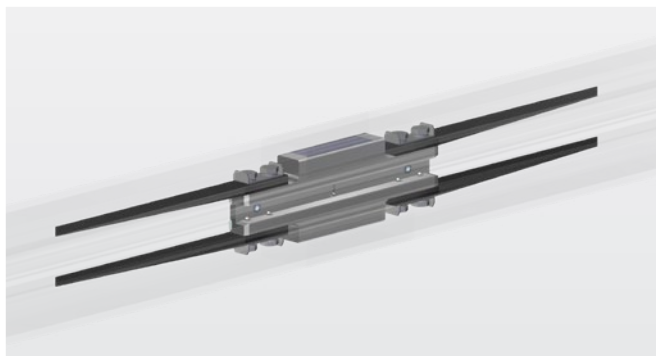
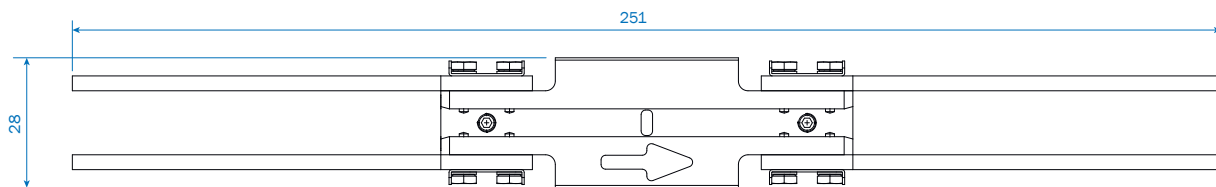
### **HIGHLIGHTS**

- Compact segment separation
- High speed
- Long life cycle
- Reduced number of components
- Unrestricted tolerances
- No complex adjustment
- Unique marking of the segment separation
- Simple and fast assembly

## SMGM SEGMENT SEPARATION

### MECHANICAL DATA

Dimensions (overall)	251x 28 x 10 mm
Mounting	Insert & fix
Material	Aluminium
Installation	2x grub screw with hexagon socket
Environment	Industrial application
Assembly orientation	Horizontal alignment



### ORDER OVERVIEW

- 10030688 SMGM-TWINI-01-SET+V (Pre-assembled on 500mm SMGM)
- 10030689 SMGM-TWINI-01+V

