

# SMGM Coupler

## HIGHLIGHTS

- Optimized straightness
- Elimination of cable pads for cable routing
- Increased driving speeds
- Adaptation of the mounting base plate not necessary
- High mechanical tolerances
- Hanging arrangement without restrictions
- Easy exchange of the coupler
- Reduction of the cable influence on routing and running performance

## SMGM COUPLER

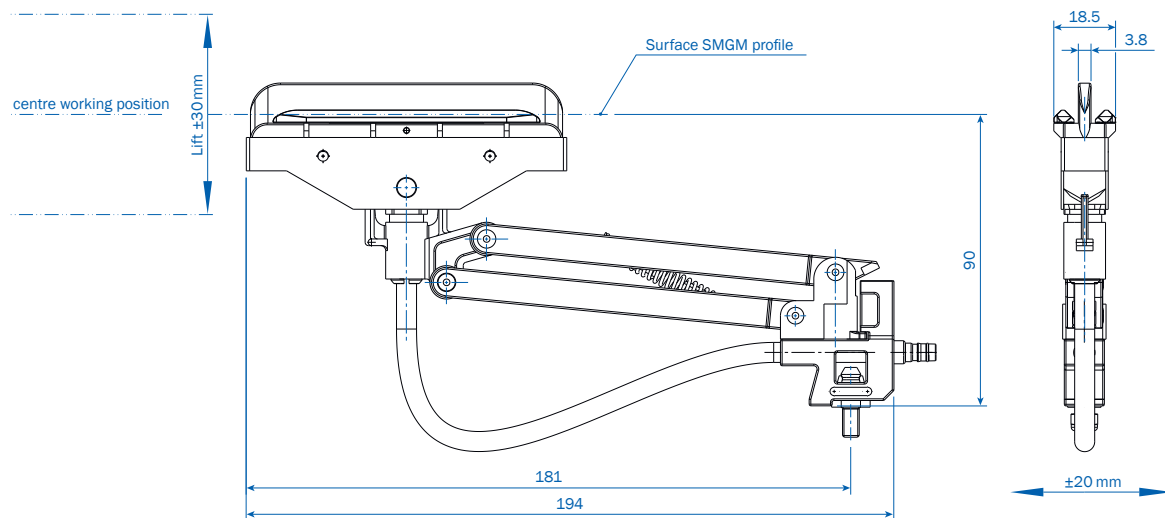
### TECHNICAL DATA

- Travel speed 240 m/min
- Crossing speed 180 m/min
- min. bending radius inside bend 750 mm
- min. bending radius outside curve 650 mm / 500 mm (fed/not fed)
- min. bending radius vertical curve 1000 mm

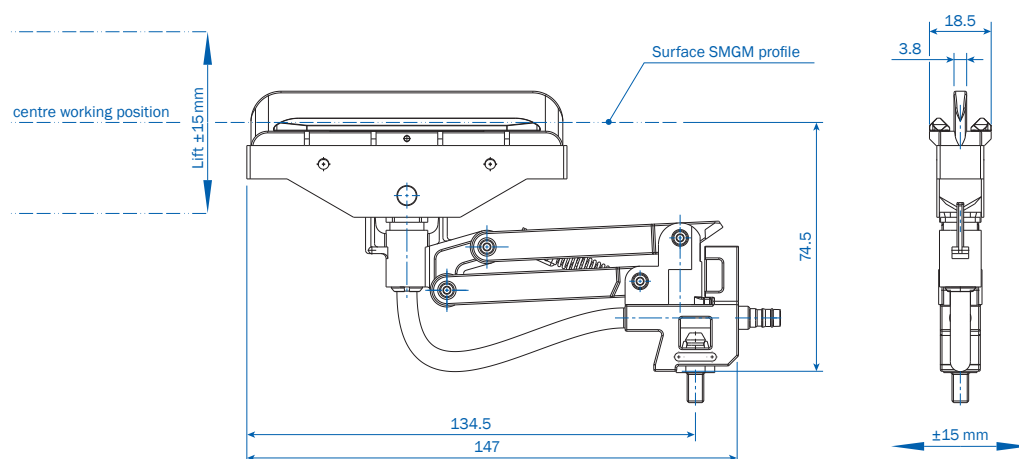
### MECHANICAL DATA

- |                           |                           |                  |
|---------------------------|---------------------------|------------------|
|                           | <b>long arm</b>           | <b>short arm</b> |
| • Middle working position | 90 mm                     | 74,5 mm          |
| • Horizontal tolerance    | ±20 mm                    | ±15 mm           |
| • Vertical tolerance      | ±30 mm                    | ±15 mm           |
| • Protection class        | IP20                      |                  |
| • Temperature             | 0 to 40°C no condensation |                  |
| • Environment             | Industrial                |                  |

### MOUNTING OVERVIEW LONG ARM



### MOUNTING OVERVIEW SHORT ARM



### ORDER OVERVIEW

- |                   |          |
|-------------------|----------|
| Coupler long arm  | 10028660 |
| Coupler short arm | 10028661 |